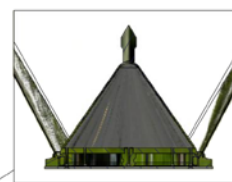
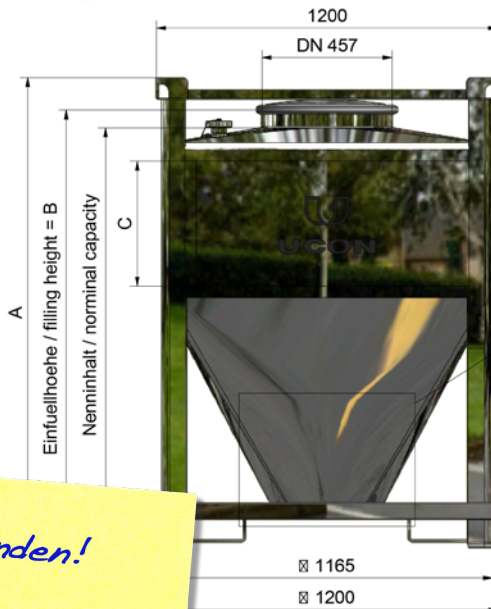
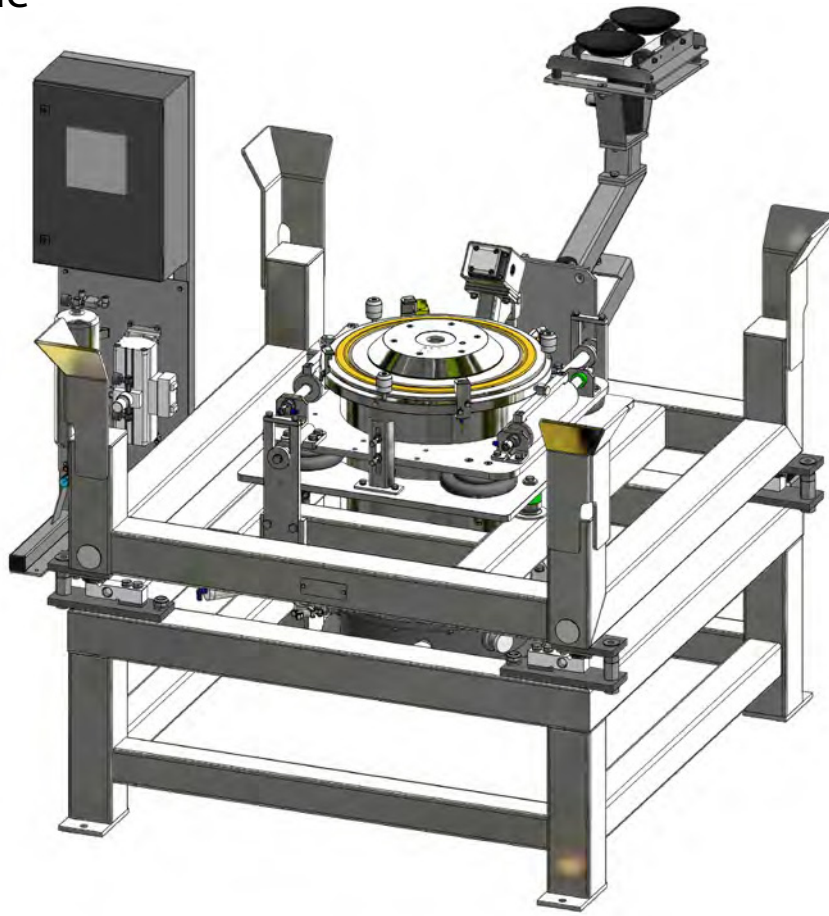


# BPK 4 Discharging Stations

Bulk Container Systems

www.ucon.de



Nenninhalt nom. capacity	A	B	C
600	1215	1100	-
1000	1505	1390	290
1200	1655	1540	440
1500	1880	1765	665
1600	1955	1840	740
1800	2105	1990	890
2000	2255	2140	1040
2200	2405	2290	1190
2500	2630	2515	1415
3000	3005	2890	1790

Containersystem BPK4

*Yes, gevonden!*

*CONSENSYS biedt de oplossingen voor ons!  
Bel jij met een aanvraag?*

*>> Gerard Noordhof  
op +31 6 3039 2646*

**UCON**  
THIELMANN CONTAINER SYSTEMS

**275** 1740 - 2015  
YEARS  
TRANSFORMING STEEL

PHARMACEUTICALS | METAL POWDERS | BULK CHEMICALS

# BPK 4 Cone Valve Systems.

UCON Bulk Technology.



		Basic	Plus	Top	
Materials	Product wetted: Stainless Steel AISI 304 / 316L	● / ○ / ○ (1)	● / ○ / ○ (1)	● / ○ / ○ (1)	
	Frame: Stainless Steel AISI 304 / 316Ti	● (1)	● (1)	● (1)	
	Seals: Silicon / PTFE / EPDM	● / ● / ○	● / ● / ○	● / ● / ○	
	Cabinet: Steel painted (RAL 7035) / Stainless Steel	● / ^	● / ^	● / ^	
	Discharge cylinder lifting capacity by 6 bar / 10 bar [kN]	13 / 21	13 / 21	13 / 21	
	Discharge cylinder air amplifier (10 bar)	○	○	○	
	Discharge cylinder lifting height [mm]	300	300	300	
	Outlet connection: flange DN 400 / adaptation	● / ^	● / ^	● / ^	
	<b>Equipment</b>				
	Shock mounts / base frame with base plates	● / ○	- / ●	- / ●	
Base frame (height according to the arrangement)	○	○	○		
Container locking	●	●	●		
Linear vibrator with swivel arm	-	○	●		
Linear vibrator at the container outlet	-	○	●		
Rotary vibrator on the outlet	●	●	●		
Base frame with load cells	-	○	●		
Sealing container / discharge station: static	●	●	●		
Middle part closed with inflatable gasket	- / -	● / -	● / ○		
<b>Control-Unit</b>					
Pneumatic (pressure supply and valves)	●	●	●		
UCON Discharge-Unit separate operator panel*	○	●	-		
UCON Dosing-Unit with separate operator panel**	-	-	●		
<b>Optional</b>					
ATEX	○	○	○		
EGVo 10/2011 und FDA	○	○	○		

\* This unit consist of: Siemens Simatic minicontroller / Text display: parameter for stroke, pulsing and vibrator mode, error messages / PLC Interface

\*\* This unit consist of: Siemens Simatic S7 / Graphic display for intuitive Operation, automatic flow control / Material based dosing parameter with parameter management / Dosing tolerance ± 100 [g] (2) / Automatic and service mode, scale setup, operator management (password) / Graphic of dosing (f/t)

● Standard ○ Optional - Not included ^ By Arrangement (1) Other materials on request (2) Depending on product

Custom, application oriented, solutions upon request.  
Contact us, we look forward hearing from you!

contactgegevens

**CONSENSYS**

+31 (0) 334 572 592  
info@consensys.nl  
www.consensys.nl



**UCON**  
THIELMANN CONTAINER SYSTEMS



MADE IN GERMANY